



## LED Downlight Performer MW

- New: available as wireless Smart Lighting solution (BLE)
- High efficacy (over 100 lm/W) combined with low glare
- Direct replacement for compact fluorescent downlights - saving over 60% of energy costs
- Common cut-out diameters of 150mm and 200mm
- Provided with protective foil in order to prevent the downlight from dust and dirt during the assembly (IP44)
- Suitable for retrofitting due to available adapter ring sizes
- Flicker-free

<b>UGR19</b>	<b>UGR22</b>	<b>IP44</b>
		<b>60,000 h L70B50</b>
		<b>40,000 h L80B50</b>

## Specifications

Item Code	Item Description	Equivalent to (W)	Power (W)	Lumen	Efficacy (lm/W)	UGR	CCT (K)
140057170	LEDDownlightRc-P-MW R150-11.5W-3000	CFL 1x18W	11.5	1150	102	22	3000
140057171	LEDDownlightRc-P-MW R150-11.5W-4000	CFL 1x18W	11.5	1200	104	22	4000
140057168	LEDDownlightRc-P-MW R200-15W-3000	CFL 1x26W	15	1600	108	19	3000
140057169	LEDDownlightRc-P-MW R200-15W-4000	CFL 1x26W	15	1660	110	19	4000
140057172	LEDDownlightRc-P-MW R200-23W-3000	CFL 2x26W	23	2350	102	22	3000
140057173	LEDDownlightRc-P-MW R200-23W-4000	CFL 2x26W	23	2400	104	22	4000
140057174	LEDDownlightRc-P-MW R200-33W-3000	CFL 2x32W	33	3360	105	22	3000
140057175	LEDDownlightRc-P-MW R200-33W-4000	CFL 2x32W	33	3500	107	22	4000
140057178	LEDDownlightRc-P-MW R150-11.5W-DALI-3000	CFL 1x18W	11.5	1150	100	22	3000
140057179	LEDDownlightRc-P-MW R150-11.5W-DALI-4000	CFL 1x18W	11.5	1200	102	22	4000
140057176	LEDDownlightRc-P-MW R200-15W-DALI-3000	CFL 1x26W	15	1600	105	19	3000
140057177	LEDDownlightRc-P-MW R200-15W-DALI-4000	CFL 1x26W	15	1660	107	19	4000
140057180	LEDDownlightRc-P-MW R200-23W-DALI-3000	CFL 2x26W	23	2350	100	22	3000
140057181	LEDDownlightRc-P-MW R200-23W-DALI-4000	CFL 2x26W	23	2400	102	22	4000
140057182	LEDDownlightRc-P-MW R200-33W-DALI-3000	CFL 2x32W	33	3360	103	22	3000
140057183	LEDDownlightRc-P-MW R200-33W-DALI-4000	CFL 2x32W	33	3500	105	22	4000
140063619	LEDDownlightRc-P-MW R150-11.5W-BLE-3000	CFL 1x18W	11.5	1150	100	19	3000
140063620	LEDDownlightRc-P-MW R150-11.5W-BLE-4000	CFL 1x18W	11.5	1200	102	19	4000
140063621	LEDDownlightRc-P-MW R200-15W-BLE-3000	CFL 1x26W	15	1600	105	19	3000
140063622	LEDDownlightRc-P-MW R200-15W-BLE-4000	CFL 1x26W	15	1660	107	19	4000
140063623	LEDDownlightRc-P-MW R200-23W-BLE-3000	CFL 2x26W	23	2350	100	19	3000
140063624	LEDDownlightRc-P-MW R200-23W-BLE-4000	CFL 2x26W	23	2400	102	19	4000
140063625	LEDDownlightRc-P-MW R200-33W-BLE-3000	CFL 2x32W	33	3360	103	22	3000
140063626	LEDDownlightRc-P-MW R200-33W-BLE-4000	CFL 2x32W	33	3500	105	22	4000

Available on request with 5- or 2+3 pole Wieland GST18i connector. Emergency lighting available on request.

## Accessories



140060646  
LEDDownlightRc-P-HZ-Adapter-150-175

140060647  
LEDDownlightRc-P-SI-E-Adapter-200-225

140060648  
LEDDownlightRc-P-SI-E-Adapter-200-250



140061242  
LEDDownlightRc-P-R150-Surface-Module-WH

140061243  
LEDDownlightRc-P-R200-Surface-Module-WH

### Technical Specifications

On-/Off-cycles	100,000
Colour consistency (SDCM)	4
Dimmable	No / Yes (DALI/BLE)
Beam angle	70 °
Finishing	White RAL9003
Colour rendering index CRI	≥ 80
Degree of protection (IP)	IP44
IP recessed part	IP20
Impact strength	IK02
Protection class	II
Control gear included	Yes
Glow wire test	650 °C
Driver failure rate (at 5,000 hrs)	1 %
Weight (pc/kg)	0.45 / 0.76
Power factor	≥ 0.90

### Electrical Supply

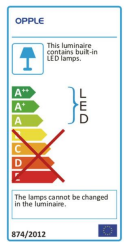
Frequency	50/60 Hz
Nominal voltage	220-240 V
Voltage type	AC/DC

### Mechanical Properties

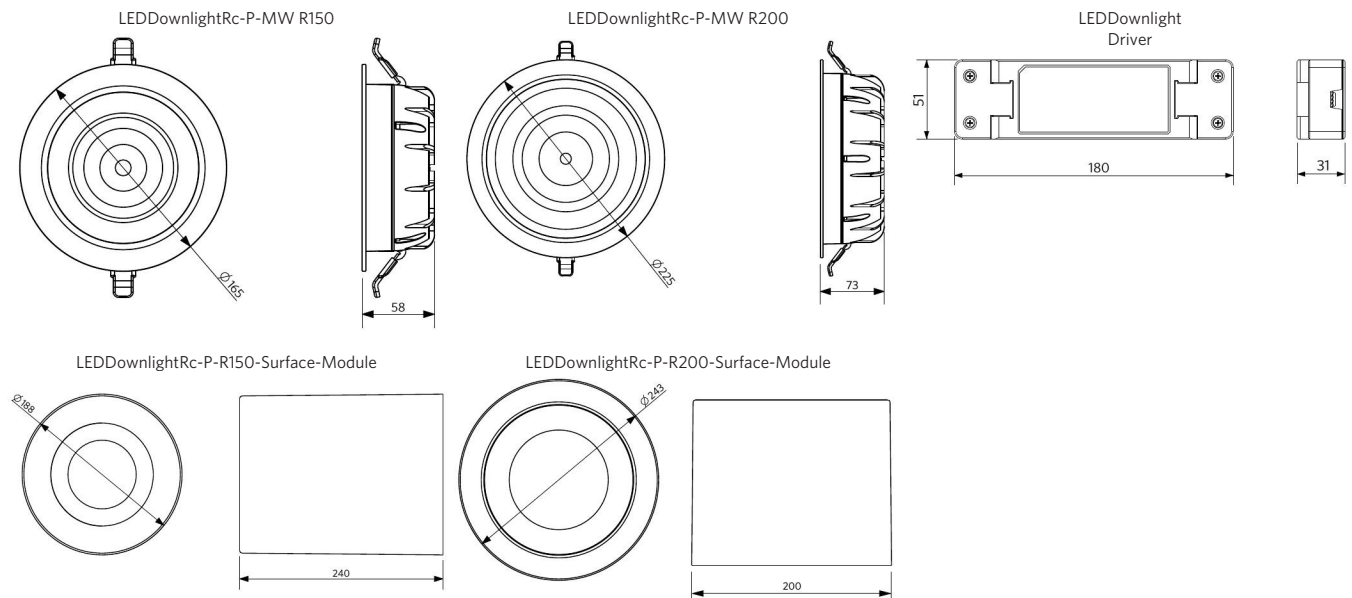
Material housing	Die-casted Aluminum
Optical material	Polycarbonate

### Ambient Conditions

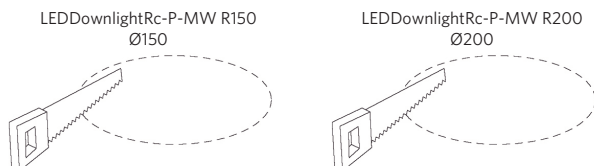
Operating temperature	-10 - 40 °C
Application temperature	25 °C
Storage environment	-25 - 50 °C



## Dimensional Drawing (mm)



## Installation Opening Drawing (mm)



Check our website for more detailed product specifications.

