

## Waterproof Basic

- New: Improved efficacy of 125 lm/W
- Cost effective "sealed-for-life" waterproof luminaire
- Up to 60% lower energy consumption compared to traditional TL lighting
- Quick installation through the easy to open endcap
- Supplied with stainless steel ceiling and suspension clips



## Specifications

Item Code	Item Description	Equivalent to (W)	Power (W)	Lumen	Efficacy (lm/W)	CCT (K)	Wirethrough	Internal wiring (mm <sup>2</sup> )	Weight (kg/pc)
543022006500	LEDWaterproof-B L1448-50W-4000-FR	TL 2x58W	50	6250	125	4000	No	2x1.5	1.24

## Packaging Information

Item		Box			
Item Code	Item Description	Dimensions (mm) (LxWxH)	Gross Weight (kg)	EAN	pc/box
543022006500	LEDWaterproof-B L1448-50W-4000-FR	1473x74x78	1.55	6941408804934	1

Technical Specifications	
Lifetime (L70)	30,000 h
Lifetime (L80)	20,000 h
On-/Off-cycles	100,000
Colour consistency (SDCM)	4
Dimmability	On-Off
Beam angle	110°
Finishing	Grey RAL 7035
Colour rendering index CRI	≥ 80
Degree of protection (IP)	IP65
Impact strength	IK08
Protection class	II
Risk group (EN 62471)	RG0
With control gear	Yes
Glow wire test	850°C
Driver failure rate (at 5,000 hrs)	0.5 %
Power factor	≥ 0.9

Electrical Supply	
Frequency	50/60 Hz
Nominal voltage	220-240 V AC
DC input voltage	No

Mechanical Properties	
Material housing	Polycarbonate
UV resistant	Yes
Optical material	Polycarbonate
Mounting clips	Stainless steel

Ambient Conditions	
Operating temperature	-20-+45°C
Application temperature	+25°C
Storage environment	-25-+50°C



**ENERGY**

OPPLE Lighting  
543022006500

A	▶
B	▶
C	▶
D	▶
E	▶
F	▶
G	▶

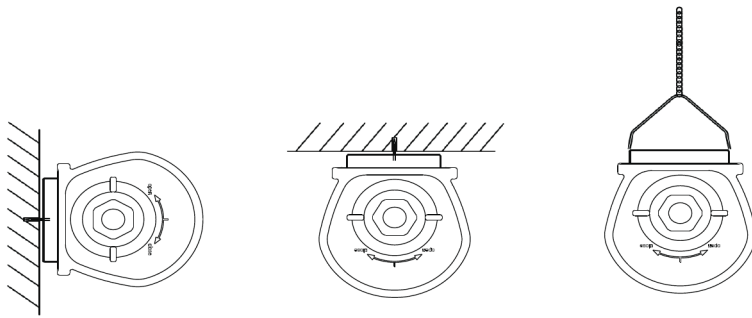
**E**

**50**  
kWh/1000h

2019/2015

## Dimensional Drawing (mm)

## Installation Possibilities



## Photometric Data

