



LED Floodlight EcoMax G2 30W/50W/70W

- Slim aluminium body with integrated heatsink and clipless cover
- Robust and water- and dustproof
- High efficacy up to 100 lm/W
- High energy saving compared to halogen and high pressure sodium lamps
- Range from 3,000 to 7,000 lm
- Compatible brackets and ground spikes available
- IP65 daylight and motion sensor accessory available



## Specifications

Item Code	Item Description	Equivalent to (W)	Power (W)	Lumen	Efficacy (lm/W)	CCT (K)	Beam angle	Weight (kg/pc)
543017012000	LEDflood-E2 Re253-50W-3000-BL	HID 70W	50	4750	95	3000	110 °	1.40

## Accessories



140065060  
LEDflood-E-Motion-Daylight-Sensor



140060793  
LEDflood-E-Re250-280-Bracket-BL



140060792  
LEDflood-E-Re250-280-Spike-BL



599000004600  
LEDStreet-SE-ExtensionCable

## Packaging Information

Item		Box			
Item Code	Item Description	Dimensions (mm) (LxWxH)	Gross Weight (kg)	EAN	pc/box
140060792	LEDflood-E-Re250-280-Spike-BL	115x115x269	0.72	6956321895198	1
140060793	LEDflood-E-Re250-280-Bracket-BL	360x150x109	1.50	6956321895204	1
140065060	LEDflood-E-Motion-Daylight-Sensor	126x95x127	0.19	6956321801502	1
543017012000	LEDflood-E2 Re253-50W-3000-BL	228x87x286	1.50	6945730482372	1
599000004600	LEDStreet-SE-ExtensionCable	100x60x350	0.68	6956321815370	1

## Technical Specifications

Lifespan (L70B50)	50,000 h
Lifespan (L80B50)	30,000 h
On-/Off-cycles	100,000
Colour consistency (SDCM)	4
Dimmable	No
Finishing	Black
Colour rendering index CRI	≥ 80
Degree of protection (IP)	IP65
Impact strength	IK07
Protection class	I
Control gear included	Yes
Glow wire test	650 °C
Driver failure rate (at 5,000 hrs)	1 %
Power factor	≥ 0.90
Surge protection	2 kV

## Electrical Supply

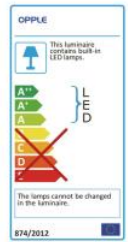
Frequency	50/60 Hz
Nominal voltage	220-240 V AC
DC input voltage	Yes, see Appendix 3

## Mechanical Properties

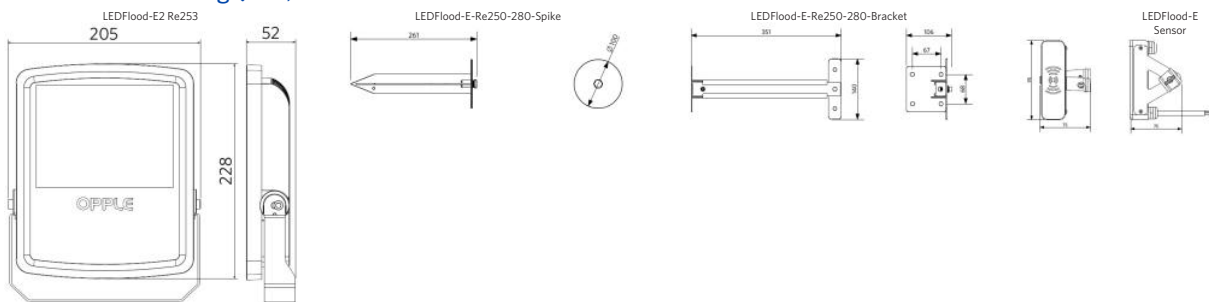
Material housing	Aluminium
Optical material	Polycarbonate
Cover material	Tempered glass

## Ambient Conditions

Operating temperature	-30 ~ 50 °C
Application temperature	25 °C
Storage environment	-30 ~ 60 °C



## Dimensional Drawing (mm)



## Photometric Data

LEDFlood-E2 Re253-50W-3000-BL

