

LED Downlight Performer MW

- Available as wireless Smart Lighting solution (BLE)
- Unique optical lens concept with matte white (MW) reflector and low glare
- Low luminaire height (max 73mm)
- Direct replacement for compact fluorescent downlights - saving over 60% of energy costs
- IP44 (light output side)
- Common cut-out diameters of 150mm and 200mm
- Provided with protective foil in order to protect the downlight against dust and dirt during the assembly
- Suitable for retrofitting due to available adapter ring sizes



Specifications

Item Code	Item Description	Equivalent to (W)	Power (W)	Lumen	Efficacy (lm/W)	UGR	CCT (K)	Weight (kg/pc)
140063622	LEDDownlightRc-P-MW R200-15W-BLE-4000	CFL 1x26W	15	1660	107	19	4000	0.76

Available on request with 5- or 2+3 pole Wieland GST18i connector. Emergency lighting available on request. BLE versions are not compatible with surface module accessories.

Packaging Information

Item		Box			
Item Code	Item Description	Dimensions (mm) (LxWxH)	Gross Weight (kg)	EAN	pc/box
140063622	LEDDownlightRc-P-MW R200-15W-BLE-4000	260x260x118	1.07	6945730414564	1

Technical Specifications

Lifespan (L70B50)	60,000 h
Lifespan (L80B50)	40,000 h
On-/Off-cycles	100,000
Colour consistency (SDCM)	4
Dimmable	Yes (DALI/BLE)
Beam angle	70 °
Finishing	White RAL9003
Colour rendering index CRI	≥ 80
Degree of protection (IP)	IP44
IP recessed part	IP20
Impact strength	IK02
Protection class	II
Risk group	RG0 / RG1 (23W & 33W)
Control gear included	Yes
Glow wire test	650 °C
Driver failure rate (at 5,000 hrs)	1 %
Power factor	≥ 0.90

Electrical Supply

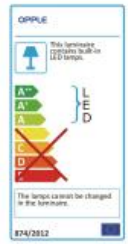
Frequency	50/60 Hz
Nominal voltage	220-240 V AC
DC input voltage	Yes, see Appendix 2

Mechanical Properties

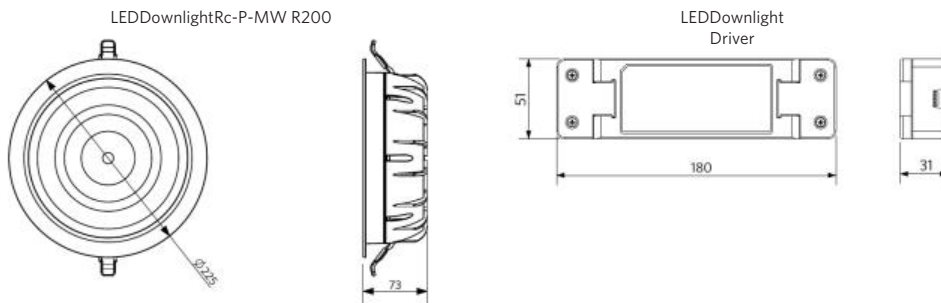
Material housing	Die-casted Aluminum
Optical material	Polycarbonate

Ambient Conditions

Operating temperature	-10 ~ 40 °C
Application temperature	25 °C
Storage environment	-25 ~ 50 °C

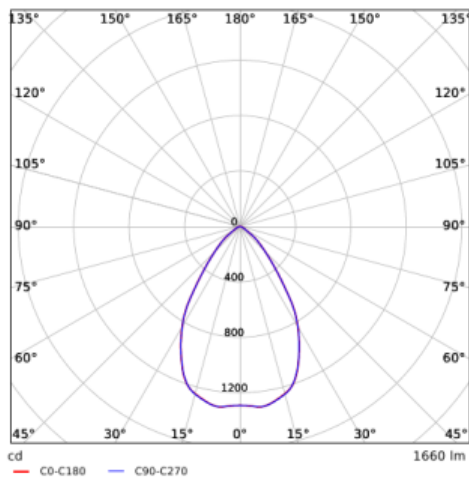


Dimensional Drawing (mm)



Photometric Data

LEDDownlightRc-P-MW R200-15W



Installation Opening Drawing (mm)

LEDDownlightRc-P-MW R200
Ø200

